

客戶名稱 CUSTOMERS:			
日期 DATE:			
產品名稱 PRODUCT:	Aluminum Housed Wirewound Resistors 黃金鋁殼電阻器		
物料代號 PART NO.:	Customer		版本 REV.:
	Queen Mao	AH series	

規 格 承 認 書

APPROVAL SHEET



客戶承認簽印 CUSTOMER APPROVED BY		核准 APPROVE	主管 CHIEF	承辦 RESPONSIBLE
APPROVED NO.:		ECN.:		/ /
MODEL:				/ /
CUSTOMER P/N:				/ /



昆 貿 電 子 股 份 有 限 公 司
QUEEN MAO ELECTRONIC CO., LTD.

台北縣 221 汐止市 大安街 56 巷 35 號
No.35, LANE 56, DA-AN ST., SHLJR CITY 221, TAIPEI, TAIWAN, R.O.C.

TEL: 886-2-8648-5566 FAX: 886-2-8648-0538

E-mail: service@queenmao.com.tw

URL: <http://www.queenmao.com.tw>



1. 適用範圍 Scope

本承認書適用於[黃金鋁殼電阻器]。

This specification covers Aluminum Housed Wire Wound Resistors.

2. 品質 Quality

本電阻器的製造係經高品質管理程序，並具有高信賴性的品質保證，且符合 RoHS 和無鹵要求。

The resistor is manufactured by highly quality-controlled process and guaranteed high reliability, it meets RoHS & Halogen-Free requirement.

3. 標準試驗狀態 Standard measuring conditions

溫度 20±2°C、濕度 65±5%。

但在溫度 5~35°C、濕度 45~85%之情況下，仍可給予判定。

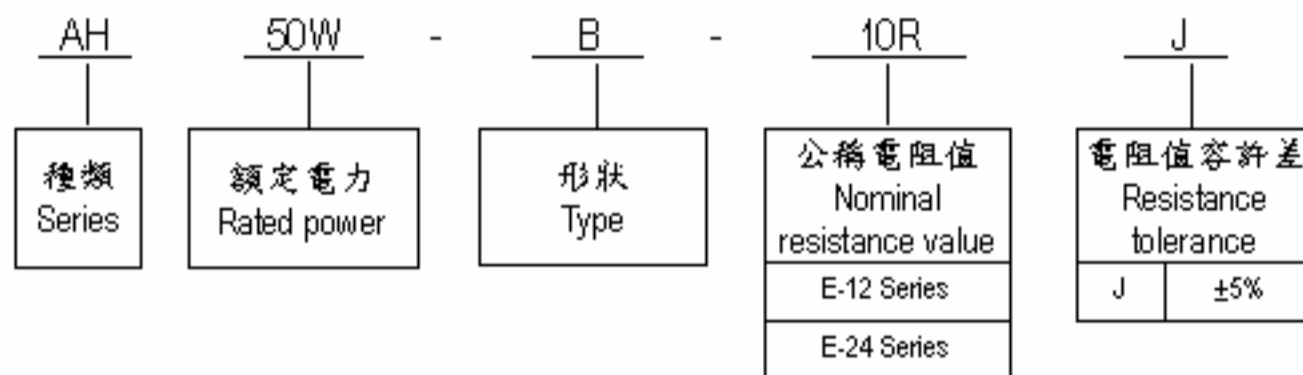
Temperature 20±2°C, Humidity 65±5%.

Being no doubt about the judgment, measurements can be made within the following Temperature 5~35°C, Humidity 45~85%.

4. 形名 (例) Type designation (example)

依使用種類、額定電力、形狀、公稱電阻值、電阻值容許差而區別，其構造如下：

The type designation shall be in the following form and as specified.



Examples

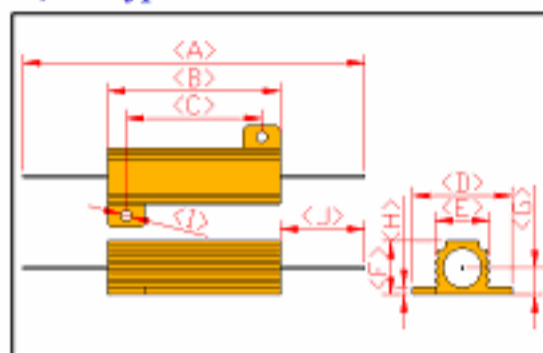
記號 Code	電阻值 Resistance value
0.12R	0.12 Ω
100R	100 Ω
1.2KR	1.2K Ω
10KR	10K Ω



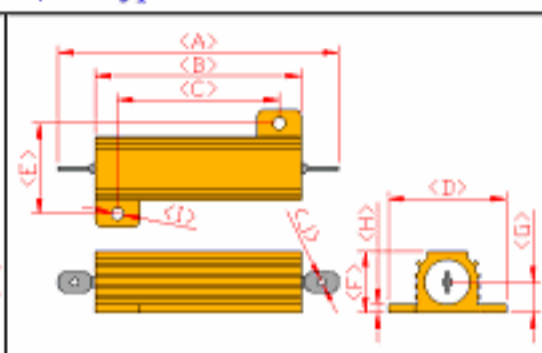
5. 外形寸法 External dimensions

AH series ◆輕量型 . Compact Light Weight Electric Power Type

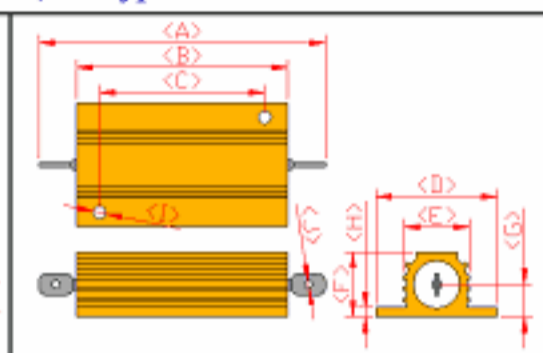
◆A Type



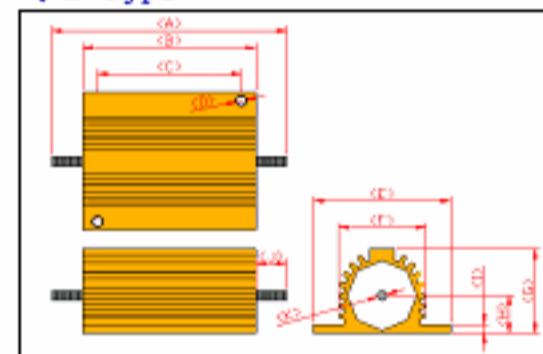
◆B Type



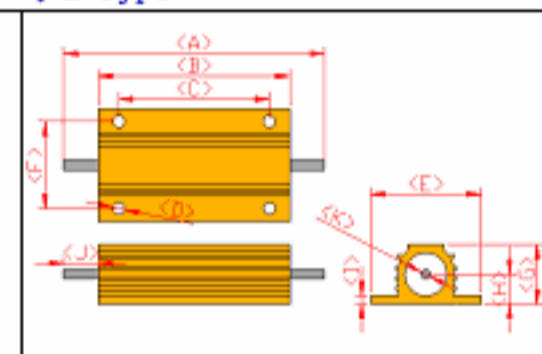
◆C Type



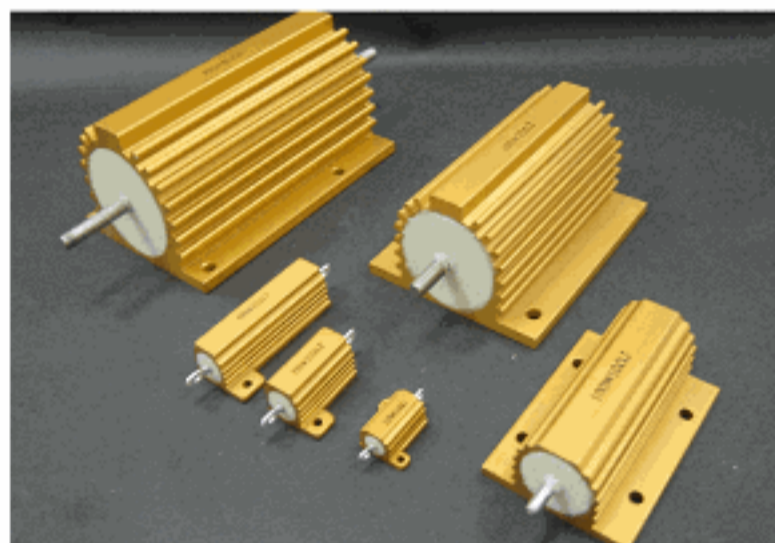
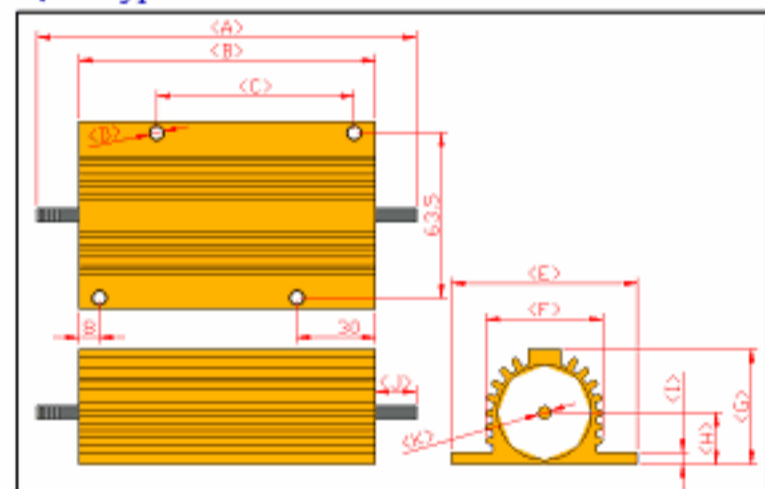
◆D Type



◆E Type



◆F Type



規格表 Spec.

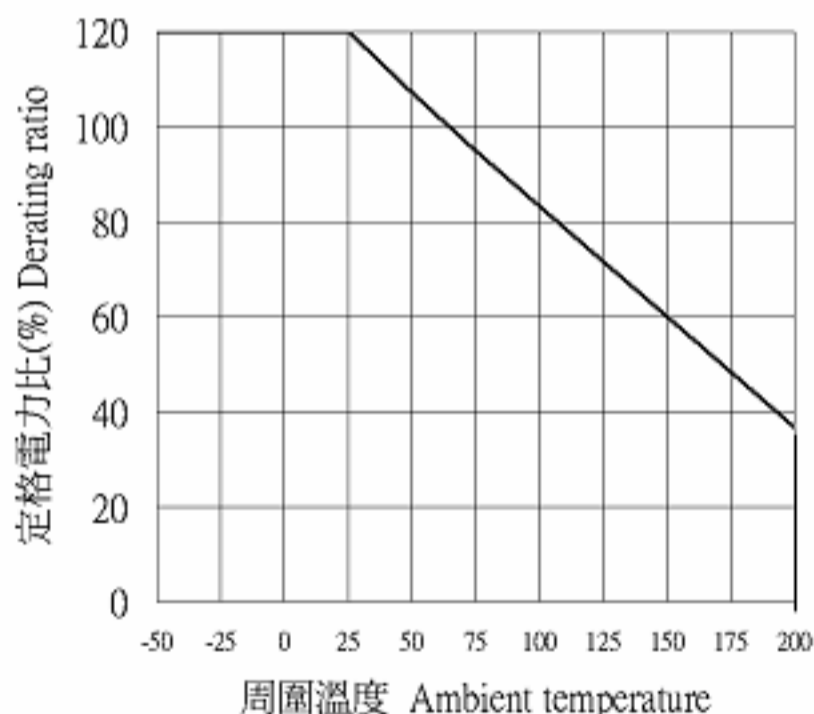
定格電力 (W) Power Rating	尺寸 Dimensions (mm)											型式 Type	電阻值範圍 Resistance range	備註 Remark
	A±2.5	B±1	C±1	D±0.5	E±1	F±1	G±1	H±0.5	I±0.2	J±1.5	K±0.2			
AH5W	82	15.3	11.3	16.5	9.4	8	4	1.4	2.2	33	-	A	0.01~ 5K	
AH10W	31.6	18.7	14.3	20.4	16.7	10	5	2	2.2	2.2	-	B	0.01~ 10K	
AH25W	48	27.8	18.6	27.4	20	14.8	7.7	2	3.4	2.2	-	B	0.01~ 25K	
AH50W	70	51	38.5	29.4	22.9	15.8	7.7	2.4	4.2	2.2	-	B	0.01~ 50K	
AH85W	94	75	38.5	29.4	14.4	15.8	7.7	2.4	3.2	2.2	-	C	0.01~ 85K	
AHS100W	94	66	35	4.5	47	36	25	13	3.2	15	M4	E	0.01~100K	
AH100W	122	90	69.2	5.2	71.5	45	44	20±1	4.4	16	M5	D	0.01~100K	
AH250W	178	114	76	5.2	77	57.8	54.5	25±1	5	32	M6	F	0.01~100K	



6. 特性 Characteristics

特性 Characteristics	規格值 Limits
阻值和阻值的誤差 Resistance and resistance tolerance	Resistance tolerance ±1% (F) ±5% (J) ±2% (G) ±10% (K)
溫度係數 Temperatuer coefficient	$R < 0.05 \Omega \pm 200 \text{ppm}/^\circ\text{C}$ $0.05 \Omega \leq R < 0.1 \Omega \pm 100 \text{ppm}/^\circ\text{C}$ $0.1 \Omega \leq R < 400 \Omega \pm 50 \text{ppm}/^\circ\text{C}$ $400 \Omega \leq R \pm 30 \text{ppm}/^\circ\text{C}$
額定負載 Power rating load	$\Delta R/R \leq \pm(1\% + 0.05 \Omega)$
短時間過載 Short-time overload	五倍五秒 $\Delta R/R \leq \pm(0.5\% \pm 0.05 \Omega)$
絕緣阻值 Insulation resistance	DC500V 1000M Ω mim.
耐電壓 Dielectric withstanding voltage	$\Delta R/R \leq \pm(0.2\% + 0.05 \Omega)$ AC2000V 1 mintue

負載減輕曲線表 Power Derating Curve



表面溫度上昇 Temperature Rise

